

ARCHITECTURE
ENGINEERING
INTERIOR DESIGN

STRANG INC.
8412 MINERAL POINT ROAD
MADISON, WI 53705-4395
T/ 608 278 8200
F/ 608 278 9204

ELECTRICAL SYMBOL LEGEND

LED OR COMPACT FLUORESCENT FIXTURE SURFACE, RECESSED, WALL MTD.

FLUORESCENT FIXTURE RECESSED, SURFACE, SUSPENDED, OR WALL MTD. CIRCUIT NUMBER OR CONTROL RELAY DESIGNATION.

SWITCHING DESIGNATION. MULTIPLE DESIGNATIONS INDICATE SWITCHING WILL OCCUR FROM MULTIPLE DEVICES. CONTROLLED VIA DEVICES SHOWN IN ROOM IF NOT INDICATED.

FIXTURE DESIGNATION - SEE SCHEDULE

TYPICAL OF EACH FIXTURE LOCATION

LINEAR FLUORESCENT FIXTURE WALL MOUNTED.

FLUORESCENT STRIP OR INDUSTRIAL

WALL MOUNTED SURFACE LIGHT

EMERGENCY EGRESS LIGHTING:
EMERGENCY BATTERY LIGHT

EXIT FIXTURE:
SINGLE FACE, DOUBLE FACE, (ARROWS AS INDICATED)

SWITCH:
1-POLE, 3-WAY, 4-WAY,
PL - PILOT LIGHT
D - WALL BOX DIMMER
T - TIMER (SENSOR SWITCH PTS-720-LT WITH OPTIONAL OFF ALERT)

CEILING OCCUPANCY SENSOR

WALLBOX OCCUPANCY SENSOR LINE VOLTAGE (SENSOR SWITCH WSD-PDT-SA-LT)

DUPLEX GROUNDED RECEPTACLE

DOUBLE DUPLEX RECEPTACLE

DUPLEX GROUNDED RECEPTACLE MTD. UP 48" OR ABOVE COUNTER.

DUPLEX GROUNDED RECEPTACLE:
GFIC WEATHER-PROOF
CEILING MOUNTED DEDICATED CIRCUIT

MOTOR OR SPECIAL EQUIP. CONNECTION

JUNCTION BOX / EQUIPMENT CONNECTION

DISCONNECT SWITCH

PANEL BOARD

STATION CONTROLLER (MOUNT IN WATCHROOM RACK)

ROOM REMOTE (MOUNT IN 5.5'H X 13.5"W WALL CUT OUT. STUB CONDUITS INTO OPENING WITH WIRING.)

MESSAGE SIGN (2 GANG BOX WITH SINGLE GANG EXTENSION RING)

MESSAGE REMOTE (MOUNTED ABOVE CEILING TO STRUCTURE)

SPEAKER FOR ALERTING SYSTEM

SPEAKER/LIGHT FOR ALERTING SYSTEM

ALERTING SYSTEM CAT 6 CABLE

ALERTING SYSTEM CONDUCTOR, 4 #18

FIRE ALARM HORN/STROBES: 15CD, 75CD, 110CD

FIRE ALARM STROBES: 15CD, 75CD, 110CD

FIRE ALARM MANUAL STATION

FIRE ALARM ADDRESSABLE MODULE

FIRE ALARM SMOKE DETECTOR

FIRE ALARM SMOKE DETECTOR W/DUCT

SMOKE DETECTOR REMOTE INDICATOR/TEST

SPRINKLER SYSTEM FLOW SWITCH

SPRINKLER SYSTEM TAMPER SWITCH

NOTIFICATION POWER EXTENDER PANEL

TELECOM OUTLET:
WALL LOCATION - 4 1/2" JUNCTION BOX WITH SINGLE GANG MUD RING, 3/4" STUB TO FLOOR/CEILING.
NUMBER OF CABLES. FURNISH 2 CABLES UNLESS NOTED OTHERWISE.

TELECOM OUTLET - WALL PHONE

TELECOM OUTLET - COUNTERTOP HEIGHT

WIRELESS ACCESS POINT DEVICE INSTALLED BY OWNER, CABLING BY EC.

EXISTING TO REMAIN
ELECTRICAL CONTRACTOR

MADISON GAS & ELECTRIC CO.
UNLESS NOTED OTHERWISE

OCCUPANCY SENSOR SCHEDULE

| SENSOR TAG | DESCRIPTION | APPROVED MANUFACTURER | NOTES |
|------------|---|-------------------------------|---|
| NONE | CEILING MOUNTED DUAL TECHNOLOGY 360° COVERAGE 2-POLE, LINE VOLTAGE DEVICE | SENSOR SWITCH RMR-PDT-9-2P-LT | ALL SENSORS ARE THIS TYPE UNLESS TAGGED OTHERWISE. ALL SENSORS SUITABLE FOR LOW TEMP/HIGH HUMIDITY ENVIRONMENT. |
| TYPE 1 | CEILING MOUNTED PIR DETECTION HIGH BAY 360° VIEW LENS LINE VOLTAGE DEVICE | SENSOR SWITCH CMRB6-LT | ALL SENSORS SUITABLE FOR LOW TEMP/HIGH HUMIDITY ENVIRONMENT, 20' RANGE AT 45' HEIGHT. |
| TYPE 2 | CEILING MOUNTED DUAL TECHNOLOGY 360° COVERAGE LINE VOLTAGE DEVICE | SENSOR SWITCH RMR-PDT-9-LT | ALL SENSORS SUITABLE FOR LOW TEMP/HIGH HUMIDITY ENVIRONMENT. |

GENERAL NOTES:
1. SEE SHEET E401 FOR ADDITIONAL OCCUPANCY SENSOR DETAILS.

LIGHT FIXTURE SCHEDULE

1. MANUFACTURERS SHOWN ARE BASIS OF DESIGN. ALTERNATE PRODUCTS SIMILAR IN APPEARANCE AND PERFORMANCE ARE PERMITTED WITH PRIOR APPROVAL FROM A/E.

2. SEE SPECIFICATION SECTION 26.51.00 FOR APPROVED BALLAST. COORDINATE WITH MANUFACTURER AS REQUIRED TO MEET SPECIFICATION.

3. CONTRACTOR RESPONSIBLE FOR PROVIDING AND DETERMINING QUANTITY OF MASTER SLAVE BALLAST COMBINATIONS WHEN REQUIRED.

| FIXTURE NUMBER | DESCRIPTION | MTG | LAMP | | VOLTAGE | LENS/ LOUVER | APPROVED MANUFACTURERS (LIST IS NOT EXCLUSIVE. MANUFACTURERS LISTED ARE BASIS FOR DESIGN.) | BALLAST | | NOTES |
|----------------|--|-------|------|-------------------|---------|--------------|--|---------|----------------|--|
| | | | TYPE | QUANTITY AND SIZE | | | | TYPE | BALLAST FACTOR | |
| F1 | RECESSED 2X4 | RE | FL | (2)F28W75 4100K | UNV | A | LITHONIA 2RT5 2RT5-28T5-GE80-LB41XP | SDM | NBF | |
| F10 | RECESSED 2X4 | RE | FL | (2)F28W75 4100K | UNV | A | LITHONIA 2RT5 2RT5-28T5-051C-LB41XP | DIM | NBF | |
| F2 | 48" WALL BRACKET | W | FL | (1)F32W78 4100K | UNV | A | LAMAR LIGHTING WC-1-32-EB-U-RW | PS | NBF | |
| F2-2 | 24" WALL BRACKET | W | FL | (1)F17W78 4100K | UNV | A | LAMAR LIGHTING WC-1-17-EB-U-RW | PS | NBF | 24" LONG VERSION |
| F4 | 48" INDUSTRIAL | SP/CL | FL | (2)F32W78 4100K | UNV | . | LITHONIA L-2-32-MVOLT | PS | NBF | |
| F4-1 | 24" INDUSTRIAL | SP/CL | FL | (2) | UNV | . | LITHONIA L-2-32-MVOLT | PS | NBF | |
| F5 | LED SHOWER DOWNLIGHT | RE | LED | 800LU | UNV | A | LITHONIA L7X-REALE-DEMM-ESL | - | - | PROVIDE SYLVANIA EDISON BASE LED LAMPS FOR THIS FIXTURE. |
| F6 | LED DOWNLIGHT | RE | LED | 700LU | UNV | A | LITHONIA L7X-REALE-DEMM-ESL | - | - | PROVIDE SYLVANIA EDISON BASE LED LAMPS FOR THIS FIXTURE. |
| F7 | 1' X 4' RECESSED | RE | FL | (2)F28W75 4100K | UNV | A | LITHONIA RTSB-1-28T5-MVOLT-GE810PS | PS | NBF | |
| F8 | 96" APPARATUS ROOM FIXTURE | SP | FL | (4)F32W78 4100K | UNV | . | LITHONIA TLA-4-32-MVOLT-GE810PS | PS | NBF | |
| F9 | LED POST LIGHT HEAD | PL | LED | 14,000LU | UNV | A | LITHONIA CSX2-LED-30B530/50K-SR3-MVOLT RPA19/MR2 | - | - | MOUNT NEW LUMINAIRE ON EXISTING POLE. INCLUDE ROUND POLE ADAPTER AND COVER PLATE FOR TOP OF POLE |
| F10 | LED EXTERIOR WALL BRACKET | W | LED | 2795LU | UNV | O | COOPER-LUMARK WP-L-4A-ED-EMLED-CD | - | - | |
| F11 | LED STEP LIGHT | RE/W | LED | 5W | UNV | A | PHILIPS/LIGHTOLIER D5501WLSA | - | - | FIXTURES OF THIS TYPE ARE UNSWITCHED UNLESS NOTED OTHERWISE. |
| F12 | UNDERCABINET LIGHT | UC | LED | 80LU/LED | - | A | ALBEDO TECHNOLOGY AGITO | - | - | USE 2" AND 4" LENGTHS IN KITCHEN UNDERCABINET'S LENGTH AS INDICATED ON PLANS |
| F13 | 7" LED DOWNLIGHT IN CANOPY | RE | LED | - | - | A | KIRLIN LIGHTING IRR-07136 | - | - | PROVIDE SYLVANIA EDISON BASE LED LAMPS FOR THIS FIXTURE. |
| F14 | ARCHITECTURAL FLOOD LIGHT FOR FLAG POLE | O | MH | 70PMH | 120V | - | KIM LIGHTING RELAS-30B530/50K-SR3-MVOLT HDBREL-7000 AS EQUIV | - | - | (2) FIXTURES TO BE MOUNTED ON EACH SIDE OF FLAG POLE |
| F15 | LED COMPACT FLOODLIGHT FOR FIRE STATION SIGN | O | LED | 1800LU | 120V | - | KIM LIGHTING CFL1/45LED120/BL | - | - | |
| EXIT | EXIT/EGRESS COMBO LIGHT | U | LED | - | UNV | A | LITHONIA LHQM | - | - | PROVIDE SINGLE FACE DOUBLE FACE AND ARROWS AS INDICATED ON PLANS (SELF-DIAGNOSTICS) |
| EM | EMERGENCY LIGHT | W | LED | (2) 1.5W | 120V | - | LITHONIA ELM2 LED | - | - | BATTERY |

EQUIPMENT SCHEDULE

| MECH. EQUIP. NO. | EQUIPMENT | LOCATION ROOM NUMBER | W | MCA | MCCP | HP | VOLT | PH | STARTER BY MC/PC/EC | DISCONNECT BY MC/PC/EC | CONTROL WIRING BY MC/PC/EC | REMARKS |
|------------------|----------------------------|----------------------|--------|--------|------|---------|------|----|---------------------|------------------------|----------------------------|---------|
| | GARBAGE DISPOSAL | KITCHEN | VERIFY | VERIFY | 20/1 | 3/4 | 120 | 1 | - | EC | - | 1 |
| UH-1 | UNIT HEATER | ROOM 101 | - | 12 | 25/1 | 1/2 | 120 | 1 | - | EC | - | |
| UH-2 | UNIT HEATER | ROOM 102,103 | - | - | 20/1 | 1/20 | 120 | 1 | - | EC | - | |
| EF-1 | EXHAUST FAN | ROOF | - | 9.8 | 25/1 | 1/2 | 120 | 1 | EC | MC | - | |
| EF-2 | EXHAUST FAN | ROOF | - | 13.8 | 35/1 | 3/4 | 120 | 1 | EC | MC | - | |
| MAU-1 | MAKE-UP AIR UNIT | ROOF | - | 2.5 | 15/3 | 1/2 | 208 | 3 | MC | MC | - | |
| MAU-2 | MAKE-UP AIR UNIT | ROOF | - | 5.3 | 15/3 | 1 | 208 | 3 | MC | MC | - | |
| ERV-1 | RECOVERY UNIT | ROOF | - | 2.1 | 15/3 | 1/2-1/2 | 208 | 3 | MC | MC | - | |
| AHU-1 | AIR HANDLING UNIT | HOSE TOWER | - | 15 | 35/3 | 4 | 208 | 3 | MC | MC | - | |
| P-1 | PUMP | MECH. RM | - | 2.5 | 15/3 | 1/2 | 208 | 3 | MC | EC | - | |
| P-2 | PUMP | MECH. RM | - | 2.5 | 15/3 | 1/2 | 208 | 3 | MC | EC | - | |
| CUH-1 | CABINET UNIT HEATER | STAIR A01 | - | - | 20/1 | .22 | 120 | 1 | MC | MC | - | |
| HWB-1 | HOT WATER BOILER | MECH. RM | - | 1.2 | 20/1 | - | 120 | 1 | EC | EC | - | |
| HWB-2 | HOT WATER BOILER | MECH. RM | - | 1.2 | 20/1 | - | 120 | 1 | EC | EC | - | |
| ACCU-1 | AIR COOLED CONDENSING UNIT | OUTSIDE | - | 44 | 60/3 | - | 208 | 3 | MC | EC | - | 1 |
| CEF-1 | FAN | BATHROOM | 48 | - | 20/1 | - | 120 | 1 | - | - | - | |
| CEF-2 | FAN | BATHROOM | 150 | - | 20/1 | - | 120 | 1 | - | - | - | |

GENERAL NOTES:
1. PROVIDE A NON-FUSED DISCONNECT.

DRAWING SET ADDENDUM 1
COPYRIGHT STRANG, INC. 2012
FILE NAME 2011009-E001.DWG
REVISIONS

DRAWN KK
CHECKED AS
DATE 04-16-12
PROJECT NO. 2011009
PROJECT TITLE
CITY OF MADISON
FIRE STATION #2
ADDITION AND
REMODELING

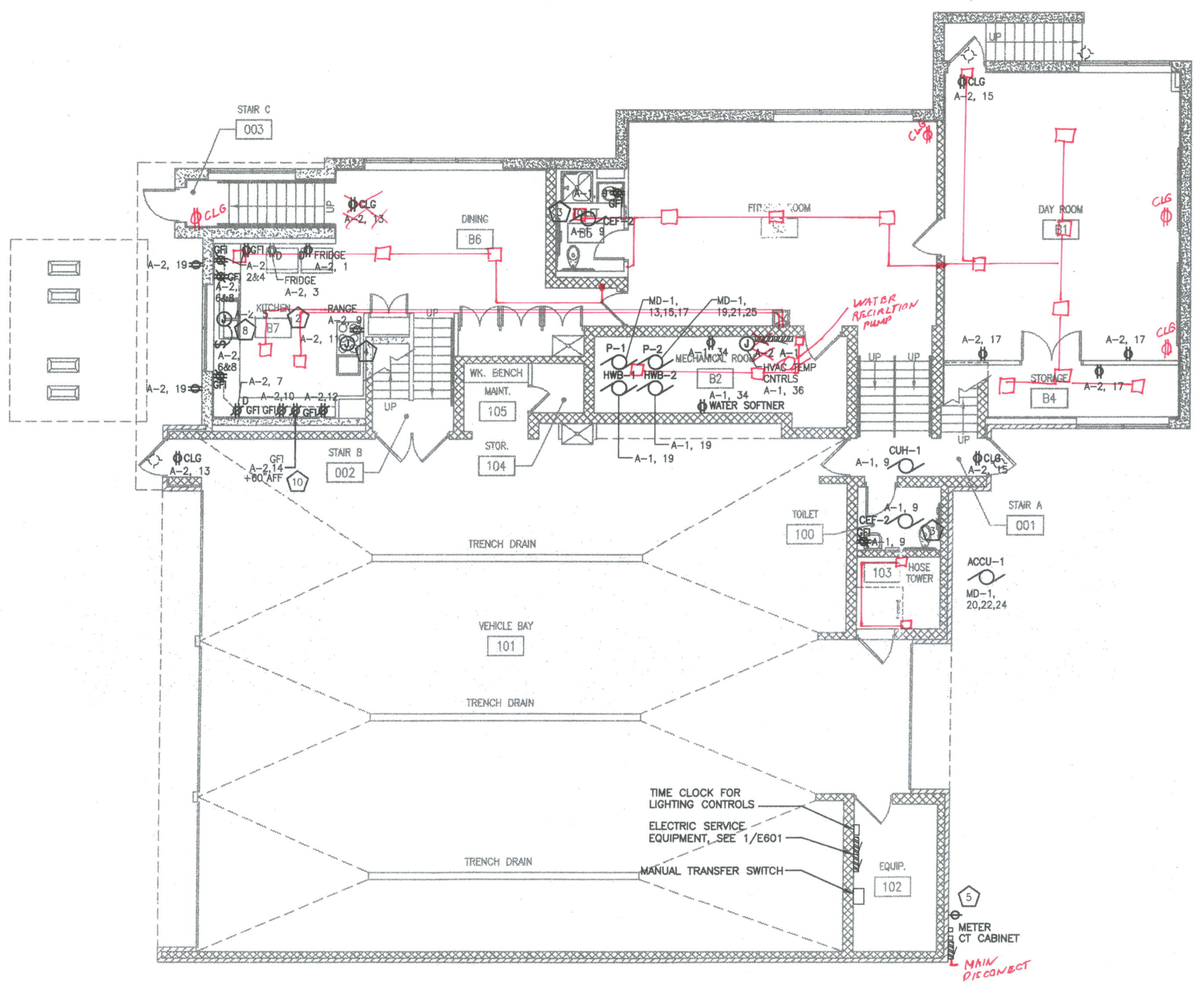
421 GRAND CANYON DRIVE
MADISON, WISCONSIN

SHEET TITLE
ELECTRICAL
SYMBOLS AND
FIXTURE SCHEDULE

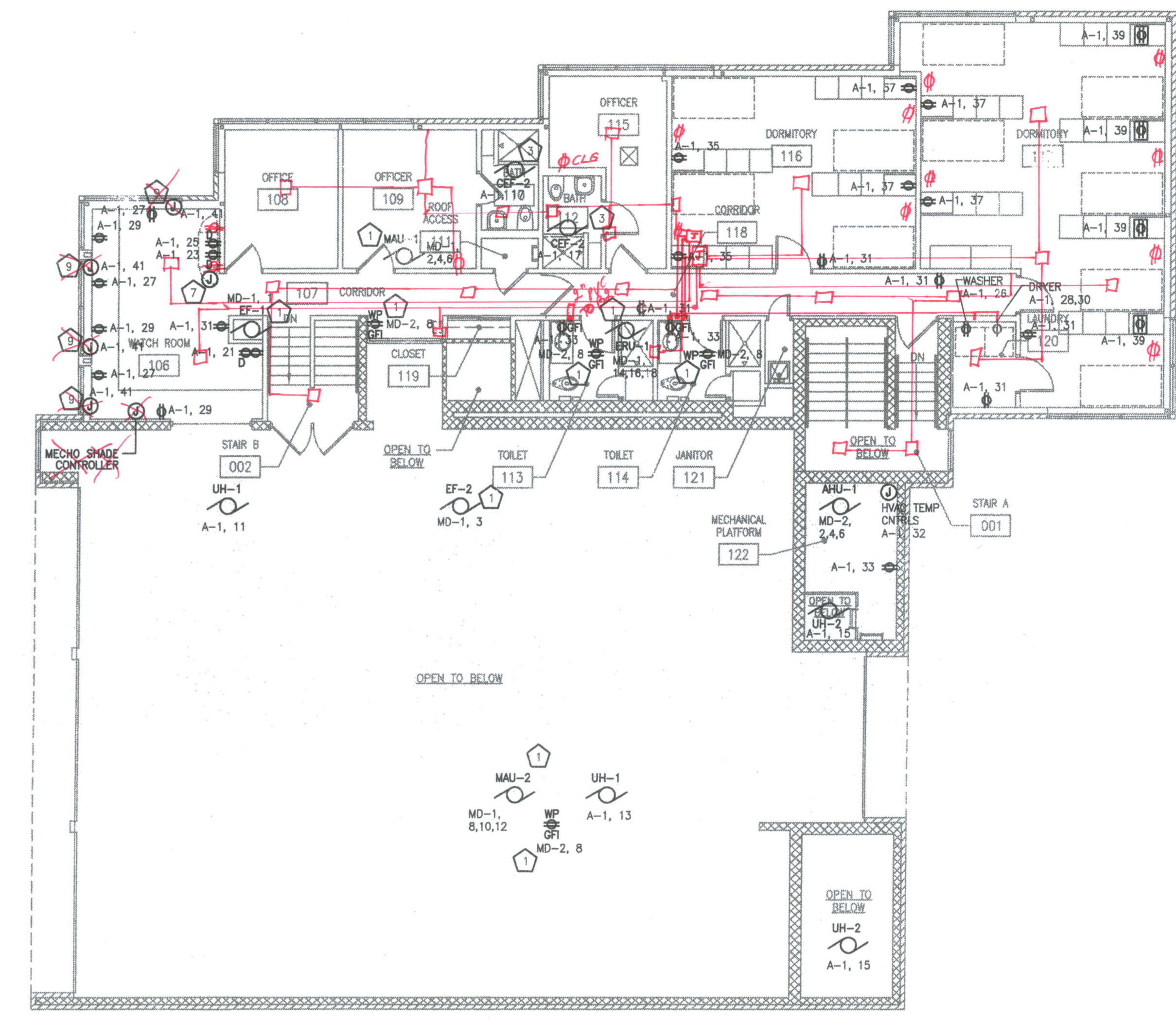
SHEET NO.
E001

ELECTRICAL AS BUILTS

KATIE LABACKA, 2011-10-16 2:27 PM K:\2011009\DRAWINGS\2011009-E001.DWG



1
E201P
LOWER LEVEL POWER ADDITION AND REMODELING PLAN
SCALE: 1/8" = 1'-0"



2
E201P
UPPER LEVEL POWER ADDITION AND REMODELING PLAN
SCALE: 1/8" = 1'-0"

GENERAL NOTES

- SEE SHEET E001 FOR SYMBOLS, ABBREVIATIONS AND LIGHTING FIXTURE SCHEDULE.
- ALL EXISTING RECEPTACLES AND OTHER EQUIPMENT NOT SHOWN SHALL BE KEPT IN USE UNLESS SPECIFICALLY NOTED OTHERWISE. RECONNECT BRANCH CIRCUITS SERVING RESPECTIVE AREA SERVED BY NEW PANEL THAT REPLACES OLD SINGLE PHASE PANEL. VERIFY EXISTING CONDITIONS ON SITE.
- NEW CIRCUIT NUMBERS INDICATED ARE NOT NECESSARILY ACTUAL NUMBERS IN PANEL, BUT ARE SHOWN TO DETERMINE QUANTITIES, SIZES ETC. VERIFY ACTUAL NUMBERS IN PANEL ON SITE. COORDINATE WITH CIRCUITS SERVING EXISTING EQUIPMENT.

SPECIFIC NOTES

- LOCATE ON ROOF
- ALL RECEPTACLES IN KITCHEN B7 INDICATED WITH TWO CIRCUITS TO BE SPLIT WIRED WITH ONE CIRCUIT TO TOP RECEPTACLE AND SECOND CIRCUIT TO BOTTOM RECEPTACLE.
- FAN TO BE CONTROLLED VIA LIGHTING OCCUPANCY SENSOR, ROOM SWITCH ("S" DESIGNATION) SERVES AS LOCAL OVERRIDE, FIX OCCUPANCY SENSOR TIME DELAY TO 15 MINUTES
- 120V POWER FOR EXHAUST HOOD LIGHTS
- RECEPTACLE FOR PORTABLE GENERATOR
- PROVIDE DEDICATED 120 VOLT, 20 AMP CIRCUIT FOR EACH RECEPTACLE DESIGNATED WITH "D"
- PROVIDE (1) 2" CONDUIT FROM WATCH ROOM NEAR ALERTING CABINET TO ROOF ABOVE FOR TWO ANTENNA CABLES.
- PROVIDE CONNECTION FOR FOOD WASTE DISPOSER. SEE EQUIPMENT SCHEDULE ON SHEET E001 FOR SPECIFICATIONS.
- PROVIDE CONNECTION AND WIRING FOR MECO SHADES. SEE ARCHITECTURAL FOR EXACT LOCATION AND INFORMATION.
- PROVIDE RECEPTACLE MOUNTED 60" ABOVE FINISHED FLOOR FOR MICROWAVE CABINET AREA. SEE ARCHITECTURAL FOR EXACT LOCATION.

| | |
|--------------|-------------------|
| DRAWING SET | OWNER REVIEW |
| COPYRIGHT | 2012 |
| STRANG, INC. | |
| FILE NAME | 2011009-E201P.DWG |
| REVISIONS | |

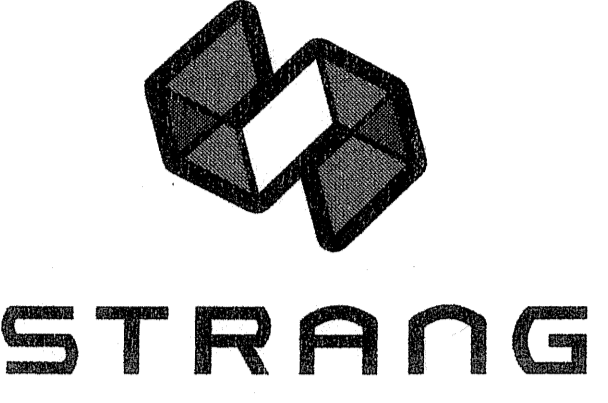
| | |
|---------------|----------|
| DRAWN | KK |
| CHECKED | AS |
| DATE | 03-09-12 |
| PROJECT NO. | 2011009 |
| PROJECT TITLE | |

**CITY OF MADISON
FIRE STATION #2
ADDITION AND
REMODELING**

421 GRAND CANYON DRIVE
MADISON, WISCONSIN

SHEET TITLE
**POWER ADDITION
AND REMODELING
FLOOR PLANS**
SHEET NO.
E201P

KATE KLUBACKA 2011-10-05 2:18 PM K:\2011\03\1009\DRAWINGS\2011009-E201P.DWG



ARCHITECTURE
ENGINEERING
INTERIOR DESIGN

STRANG INC.
6411 MINERAL POINT ROAD
MADISON, WI 53705-4395
T/ 608 276 9200
F/ 608 276 9204

| Panelboard: PNL MD-1 | | Panel Source: Utility | |
|----------------------|----------|-----------------------|----------|
| Bus Ampacity | 400A | Volts | 120/208 |
| Branch Brkr Space | 42 | Phase | 3 |
| MLO Amps | 400A | Wires | 4 |
| MCB A/P | 400A | Surface | Yes |
| Panel Mnt | Recessed | Sub-Feed Lugs | Yes |
| Panel Type | AIC | Sub-Feed Brkr #1 | Load Fed |
| Panel Height | 22000 | Sub-Feed Brkr #2 | Load Fed |
| Panel Width | 174 A | Sub-Feed Brkr #2 | Load Fed |
| Panel Depth | | Sub-Feed Brkr #2 | Load Fed |

| Load to be Fed | Ckt No | Brkr A/P | Left Phases | Right Phases | Brkr A/P | Ckt No | Load to be Fed |
|-------------------|--------|----------|-------------|--------------|----------|--------|-------------------|
| BF-1 | 1 | 25/1 | 1,176 | | 288 | 2 | MAU-1 |
| BF-1 | 3 | 35/1 | 1,656 | | 288 | 4 | |
| SPARE | 5 | | | | 288 | 6 | |
| SPARE | 7 | 15/3 | | 636 | 15/3 | 8 | MAU-2 |
| SPARE | 9 | | | 636 | | 10 | |
| SPARE | 11 | | | 636 | | 12 | |
| P-1 | 13 | 15/3 | 288 | | 204 | 14 | ERV-1 |
| | 15 | | | 288 | 204 | 16 | |
| | 17 | | | 288 | 204 | 18 | |
| P-2 | 19 | 15/3 | 288 | | 5,284 | 20 | ACCU-1 |
| | 21 | | | 288 | 5,284 | 22 | |
| | 23 | | | 288 | 5,284 | 24 | |
| Existing (Verify) | 25 | 20/1 | 1,000 | | 1,000 | 26 | Existing (Verify) |
| Existing (Verify) | 27 | 20/1 | 1,000 | | 1,000 | 28 | Existing (Verify) |
| Existing (Verify) | 29 | 20/1 | 1,000 | | 1,000 | 30 | Existing (Verify) |
| Existing (Verify) | 31 | 20/1 | 1,000 | | 1,000 | 32 | Existing (Verify) |
| Existing (Verify) | 33 | 20/1 | 1,000 | | 18,288 | 34 | Panel A-1 |
| Existing (Verify) | 35 | 20/1 | 1,000 | | 18,288 | 36 | |
| Existing (Verify) | 37 | 20/1 | 1,000 | | 18,288 | 38 | |
| Existing (Verify) | 39 | 20/1 | 1,000 | | | 40 | Spare |
| Existing (Verify) | 41 | 20/1 | 1,000 | | | 42 | Spare |

| Panelboard: PNL MD-2 | | Panel Source: MD-1 | |
|----------------------|----------|--------------------|----------|
| Bus Ampacity | 400A | Volts | 120/208 |
| Branch Brkr Space | 42 | Phase | 3 |
| MLO Amps | 400A | Wires | 4 |
| MCB A/P | 400A | Surface | Yes |
| Panel Mnt | Recessed | Sub-Feed Lugs | Yes |
| Panel Type | AIC | Sub-Feed Brkr #1 | Load Fed |
| Panel Height | 22000 | Sub-Feed Brkr #2 | Load Fed |
| Panel Width | 41 A | Sub-Feed Brkr #2 | Load Fed |
| Panel Depth | | Sub-Feed Brkr #2 | Load Fed |

| Load to be Fed | Ckt No | Brkr A/P | Left Phases | Right Phases | Brkr A/P | Ckt No | Load to be Fed |
|----------------|--------|----------|-------------|--------------|----------|--------|----------------|
| Existing | 1 | 20/1 | 1,000 | | 1,700 | 2 | AHU |
| Existing | 3 | 20/1 | 1,000 | | 1,700 | 4 | |
| Existing | 5 | 20/1 | 1,000 | | 1,700 | 6 | |
| Existing | 7 | 20/1 | 1,000 | | 720 | 8 | Recept Roof |
| Existing | 9 | 20/1 | 1,000 | | | 10 | Spare |
| Existing | 11 | 20/1 | 1,000 | | | 12 | Spare |
| Existing | 13 | 20/1 | 1,000 | | | 14 | Spare |
| Existing | 15 | 20/1 | 1,000 | | | 16 | Spare |
| Existing | 17 | 20/1 | 1,000 | | | 18 | Spare |
| Spare | 19 | 20/1 | | | | 20 | Spare |
| Spare | 21 | 20/1 | | | | 22 | Spare |
| Spare | 23 | 20/1 | | | | 24 | Spare |
| Spare | 25 | 20/1 | | | | 26 | Spare |
| Spare | 27 | 20/1 | | | | 28 | Spare |
| Spare | 29 | 20/1 | | | | 30 | Spare |
| Spare | 31 | 20/1 | | | | 32 | Spare |
| Spare | 33 | 20/1 | | | | 34 | Spare |
| Spare | 35 | 20/1 | | | | 36 | Spare |
| Spare | 37 | 20/1 | | | | 38 | Spare |
| Spare | 39 | 20/1 | | | | 40 | Spare |
| Spare | 41 | 20/1 | | | | 42 | Spare |

| Panelboard: PNL A-1 (Tub-1) | | Panel Source: MD-1 | |
|-----------------------------|----------|--------------------|----------|
| Bus Ampacity | 225A | Volts | 120/208 |
| Branch Brkr Space | 42 | Phase | 3 |
| MLO Amps | 225A | Wires | 4 |
| MCB A/P | 225A | Surface | Yes |
| Panel Mnt | Recessed | Sub-Feed Lugs | Yes |
| Panel Type | AIC | Sub-Feed Brkr #1 | Load Fed |
| Panel Height | 22000 | Sub-Feed Brkr #2 | Load Fed |
| Panel Width | 88 A | Sub-Feed Brkr #2 | Load Fed |
| Panel Depth | | Sub-Feed Brkr #2 | Load Fed |

| Load to be Fed | Ckt No | Brkr A/P | Left Phases | Right Phases | Brkr A/P | Ckt No | Load to be Fed |
|---------------------|--------|----------|-------------|--------------|----------|--------|-------------------|
| Basement Lts | 1 | 20/1 | 1,803 | | 1,000 | 2 | Existing (Verify) |
| Garage Lts | 3 | 20/1 | 1,836 | | 1,000 | 4 | Existing (Verify) |
| Corridor/Stair Lts | 5 | 20/1 | 922 | | 1,000 | 6 | Existing (Verify) |
| Bedroom/Walk Rm Lts | 7 | 20/1 | 967 | | 1,000 | 8 | Existing (Verify) |
| CUH-1, CEF-2, Rept | 9 | 20/1 | 1,356 | | 1,000 | 10 | Existing (Verify) |
| UH-1 | 11 | 25/1 | | 1,176 | | 12 | Existing (Verify) |
| UH-1 | 13 | 25/1 | 1,176 | | 1,000 | 14 | Existing (Verify) |
| UH-2 | 15 | 20/1 | 312 | | 1,000 | 16 | Existing (Verify) |
| UH-2 | 17 | 20/1 | 300 | | 1,000 | 18 | Existing (Verify) |
| HWB-1,2 | 19 | 20/1 | 288 | | 1,000 | 20 | Existing (Verify) |
| Data Rack | 21 | 20/1 | 500 | | 1,000 | 22 | Existing (Verify) |
| Alerting System | 23 | 20/1 | 500 | | 1,000 | 24 | Existing (Verify) |
| Alerting System | 25 | 20/1 | 500 | | 1,500 | 26 | Washer |
| Recept Rm 106 | 27 | 20/1 | 540 | | 2,500 | 28 | Dryer |
| Recept Rm 106 | 29 | 20/1 | 540 | | 2,500 | 30 | Spare |
| General Rpts | 31 | 20/1 | 900 | | 1,000 | 32 | HVAC Temp Control |
| Bath & Mech Rm Rept | 33 | 20/1 | 540 | | 680 | 34 | Water Softener |
| Recept Rm 116 | 35 | 20/1 | 360 | | 1,000 | 36 | HVAC Temp Control |
| Recept Rm 116,117 | 37 | 20/1 | 720 | | | 38 | Spare |
| Recept Rm 117 | 39 | 20/1 | 720 | | | 40 | Spare |
| Spare | 41 | 20/1 | 1,000 | | | 42 | Spare |

| Panelboard: PNL A-2 (Tub-2) | | Panel Source: PNL A-1 | |
|-----------------------------|----------|-----------------------|----------|
| Bus Ampacity | 225A | Volts | 120/208 |
| Branch Brkr Space | 42 | Phase | 3 |
| MLO Amps | 225A | Wires | 4 |
| MCB A/P | 225A | Surface | Yes |
| Panel Mnt | Recessed | Sub-Feed Lugs | Yes |
| Panel Type | AIC | Sub-Feed Brkr #1 | Load Fed |
| Panel Height | 22000 | Sub-Feed Brkr #2 | Load Fed |
| Panel Width | 24 A | Sub-Feed Brkr #2 | Load Fed |
| Panel Depth | | Sub-Feed Brkr #2 | Load Fed |

| Load to be Fed | Ckt No | Brkr A/P | Left Phases | Right Phases | Brkr A/P | Ckt No | Load to be Fed |
|----------------|--------|----------|-------------|--------------|----------|--------|----------------|
| Refrigerator | 1 | 20/1 | 1,200 | | 360 | 2 | Kitchen Recept |
| Refrigerator | 3 | 20/1 | 1,200 | | 360 | 4 | Kitchen Recept |
| Disposal | 5 | 35/1 | | 1,656 | | 6 | Kitchen Recept |
| Kitchen Recept | 7 | 20/1 | 180 | | 360 | 8 | Kitchen Recept |
| Range | 9 | 20/1 | | 360 | | 10 | Kitchen Recept |
| Hood Lts | 11 | 20/1 | | 200 | | 12 | Kitchen Recept |
| Door System | 13 | 20/1 | 360 | | 360 | 14 | Microwave |
| Door System | 15 | 20/1 | 360 | | | 16 | Spare |
| Recept Rm B1 | 17 | 20/1 | 540 | | | 18 | Spare |
| Patio Recept | 19 | 20/1 | 360 | | | 20 | Spare |
| Spare | 21 | 20/1 | | | | 22 | Spare |
| Spare | 23 | 20/1 | | | | 24 | Spare |
| Spare | 25 | 20/1 | | | | 26 | Spare |
| Spare | 27 | 20/1 | | | | 28 | Spare |
| Spare | 29 | 20/1 | | | | 30 | Spare |
| Spare | 31 | 20/1 | | | | 32 | Spare |
| Spare | 33 | 20/1 | | | | 34 | Spare |
| Spare | 35 | 20/1 | | | | 36 | Spare |
| Spare | 37 | 20/1 | | | | 38 | Spare |
| Spare | 39 | 20/1 | | | | 40 | Spare |
| Spare | 41 | 20/1 | | | | 42 | Spare |

| | |
|---------------|------------------|
| DRAWING SET | OWNER REVIEW |
| COPYRIGHT | 2012 |
| FILE NAME | 2011009-E501.DWG |
| REVISIONS | |
| DRAWN | KK |
| CHECKED | AS |
| DATE | 03-09-12 |
| PROJECT NO. | 2011009 |
| PROJECT TITLE | |

CITY OF MADISON
FIRE STATION #2
ADDITION AND
REMODELING

421 GRAND CANYON DRIVE
MADISON, WISCONSIN

SHEET TITLE
ELECTRICAL
PANELBOARDS

SHEET NO.
E501

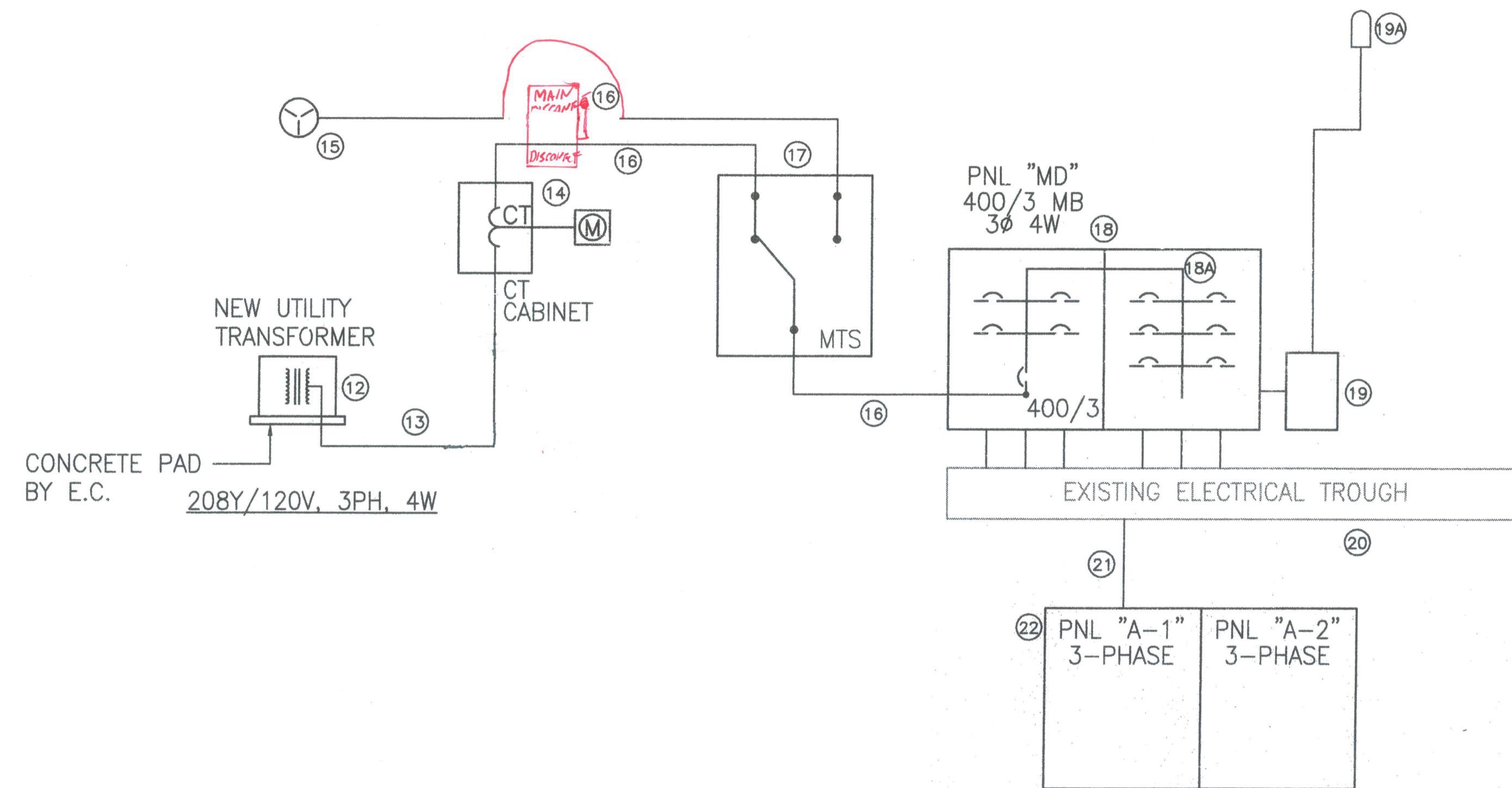
KATE KLUBACKA, 2011-04-22 2:27 PM, KL_2011009-E501.DWG, 2011009-E501.DWG



STRANG

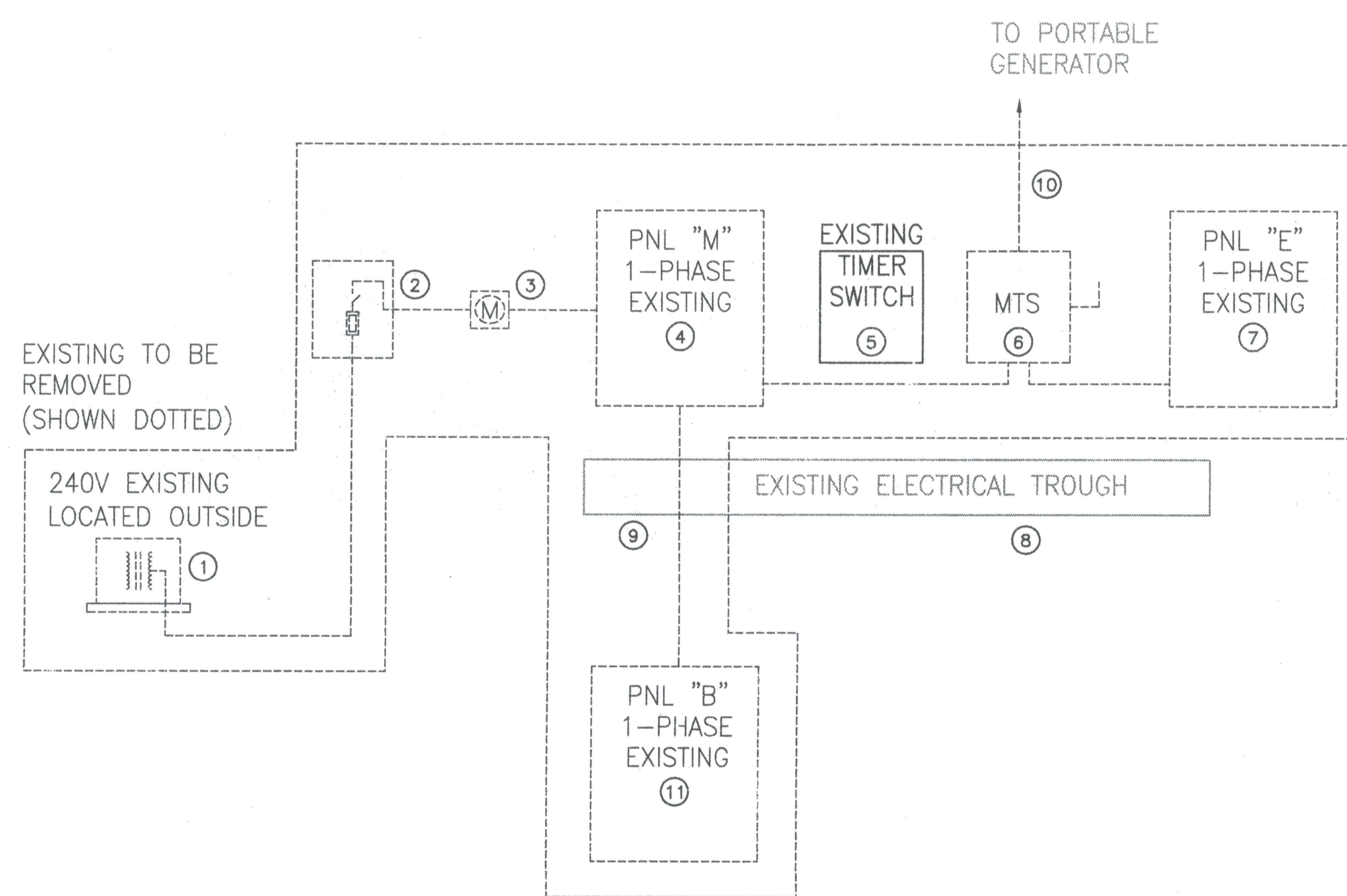
ARCHITECTURE
ENGINEERING
INTERIOR DESIGN

STRANG INC.
6411 MINERAL POINT ROAD
MADISON, WI 53705-4395
T/ 608 276 9200
F/ 608 276 9204



1 NEW ELECTRICAL ONE-LINE DIAGRAM - 120/208V, 3 ϕ , 400 AMP
SCALE: NTS

| SERVICE NOTES | |
|---------------|---|
| 00 | NOTES: |
| 1 | EXISTING SINGLE PHASE TRANSFORMER & SERVICE CONDUCTORS TO BE REMOVED BY MG&E. |
| 2 | EXISTING MAIN SWITCH TO BE REMOVED. |
| 3 | EXISTING SELF CONTAINED METER TO BE REMOVED. |
| 4 | EXISTING SINGLE PHASE PANEL TO BE REMOVED, EXTEND ALL EXISTING CIRCUITS THAT REMAIN IN USE TO NEW PANEL MD. |
| 5 | EXISTING TIME CLOCK FOR EXTERIOR LIGHTING TO BE REMOVED, REWIRE EXISTING CIRCUITS AS REQUIRED. |
| 6 | EXISTING MANUAL TRANSFER SWITCH TO BE REMOVED. |
| 7 | EXISTING SINGLE PHASE PANEL TO BE REMOVED, EXTEND ALL EXISTING CIRCUITS THAT REMAIN IN USE TO NEW PANEL MD. |
| 8 | EXISTING WIRING TROUGH THAT MAY BE REUSED TO FACILITATE EXTENSION OF EXISTING CIRCUITS THAT REMAIN TO NEW PANEL MD. |
| 9 | EXISTING SINGLE PHASE PANEL FEEDER. REMOVE EXISTING CONDUCTORS, REUSE CONDUIT IF SUITABLE. |
| 10 | EXISTING PORTABLE GENERATOR FEEDER TO BE REMOVED. |
| 11 | EXISTING SINGLE PHASE PANEL TO BE REMOVED, EXTEND ALL EXISTING CIRCUITS THAT REMAIN IN USE TO NEW PANEL A. |
| 12 | NEW UTILITY TRANSFORMER BY MG&E. |
| 13 | NEW UNDERGROUND SECONDARY SERVICE BY MG&E. PROVIDE 1-4" PVC RACEWAY FROM METERING CABINET AS REQUIRED BY MG&E. |
| 14 | NEW METERING TRANSFORMER CABINET AS REQUIRED BY MG&E. INCLUDE MG&E APPROVED METER BASE. |
| 15 | RECEPTACLE, MOUNTING BOX AND PLUG, APPLETON "POWERITE" SERIES, RAIN TIGHT, 400AMP, 3 PHASE, 4 WIRE WITH GROUND. |
| 16 | 400 AMP FEEDER, PARALLEL FEEDER, 2 SETS OF 4# 3/0 + #3 GRD IN EACH 2 1/2" CONDUIT. |
| 17 | 400 AMP MANUAL TRANSFER SWITCH. SEE SPECIFICATIONS |
| 18 | NEW PANEL MD, REFER TO PANEL SCHEDULE FOR QUANTITY AND SIZE OF BRANCH BREAKERS. |
| 18A | BRANCH BREAKERS AS INDICATED. |
| 19 | TIME CLOCK FOR EXTERIOR LIGHTING CONTROL. TORK #LC200 WITH #2001 PHOTO CONTROL. |
| 19A | PHOTO CONTROL, USE FOR DUSK ON MODE. LOCATE ON NORTH EXTERIOR EXPOSURE AS DIRECTED BY ARCHITECT. |
| 20 | EXISTING WIRING, REUSE TO EXTEND EXISTING CIRCUITS THAT WILL REMAIN IN SERVICE TO NEW PANEL MD. |
| 21 | NEW 200A FEEDER TO PANEL A - 4# 3/0 + #6 GRD IN 2 1/2" CONDUIT. |
| 22 | NEW PANEL A TO REPLACE EXISTING SINGLE PHASE PANEL B. SEE PANELBOARD SCHEDULE FOR SIZES & QUANTITIES. |



2 EXISTING ELECTRICAL ONE-LINE DIAGRAM
SCALE: NTS

| | |
|-------------|------------------|
| DRAWING SET | OWNER REVIEW |
| COPYRIGHT | 2012 |
| FILE NAME | 2011009-E601.DWG |
| REVISIONS | |

| | |
|---------------|----------|
| DRAWN | KK |
| CHECKED | AS |
| DATE | 03-09-12 |
| PROJECT NO. | 2011009 |
| PROJECT TITLE | |

CITY OF MADISON
FIRE STATION #2
ADDITION AND
REMODELING

421 GRAND CANYON DRIVE
MADISON, WISCONSIN

SHEET TITLE
ELECTRICAL
ONE-LINE DIAGRAM
AND SCHEDULES

SHEET NO.
E601

KATIE KLUBACKA, 2011-09-12 2:18 PM K:\2011\009\DRAWINGS\2011009-E601.DWG



Fire Station #2 Remodeling

City of Madison Project # 6586

Panelboards ''

Specification Section 26 24 16

Madison Fire Station #2

Prepared For



Madison Fire Station #2

- Section One
- Section Two
- Section Three
- Section Four
- Section Five

General BOM
Utility Metering
Panelboards
Safety Switches
Motor Control

Prepared For



Madison Fire Station #2

Section One

General BOM

Prepared For



BJ Electric Supply
Job Name: Madison FS #2
Customer Bill of Material

1 CT Cabinet

Catalog Number: MGE-404UG
400A UG/Overhead 3P 4W MGE CT Cabinet (240/600V)
Designations: Utility Metering

1 Metering

Catalog Number: USTS132BCH
20A Instrument Rated Mtr Socket, Ringless, 13 Terminal, UL
Designations: Utility Metering

1 Metering

Catalog Number: ARP00002CHB
HUB CLOSURE PLATE ENC METER SOCKET ACCESSORIES
Designations: Utility Metering

1 Pow-R-Line1a

Multi-Section Panel:2 Sections, 84 Circuits, 400A, Series Rated, 208Y/120V 3Ph 4W, Copper Bus, 42k AIC,400A, 3P
DK Main Breaker[Top Fed], 200A, EDS Sub-Feed Breaker, Surface Mounted
1 400A, Main Lugs Only
1 400A, 3P DK Main Breaker
1 400A, Through-Feed Lugs
1 35A, 1P BAB Branch Breaker
2 1P BAB Branch Provision Only
6 15A, 3P BAB-H Branch Breaker
1 60A, 3P BAB-H Branch Breaker
1 35A, 3P BAB-H Branch Breaker
54 20A, 1P BAB Branch Breaker
1 200A, EDS Sub-Feed Breaker
2 Copper Main Bus, 400 Amps
2 Std. Bolted Cu Ground Bar (Cu Cable Only)
2 Panel Nameplate - White with Black Letters
1 Service Entrance Label
2 Type 1 Enclosure:EZB2072R
2 EZ Trim, Door in Door, Concealed Hardware:EZT2072S
Designations: MD

1 Pow-R-Line1a

84 Circuits, 225A, Series Rated, 208Y/120V 3Ph 4W, Copper Bus, 42k AIC,225A, MLO with SF Lugs-Upstream
EDS[Top Fed], Surface Mounted
1 225A, MLO with SF Lugs-Upstream EDS
1 25A, 1P BAB Branch Breaker
1 30A, 2P BAB Branch Breaker
7 1P BAB Branch Provision Only
1 30A, 1P BAB Branch Breaker
73 20A, 1P BAB Branch Breaker
1 Copper Main Bus, 225 Amps
1 Std. Bolted Cu Ground Bar (Cu Cable Only)
1 Panel Nameplate - White with Black Letters
1 Type 1 Enclosure:EZB2072R
1 EZ Trim, Door in Door, Concealed Hardware:EZT2072S
Designations: A

BJ Electric Supply
Job Name: Madison FS #2
Customer Bill of Material

1 Safety Switches – Heavy Duty

Catalog Number: DH362URK,
600 VAC/DC, 60 Amps, 3-Pole, Non-Fusible with No Neutral, NEMA 3R Enclosure
Heavy Duty Switch - Non-Fusible, 3-Pole, 600 VAC, 60 A, NEMA 3R
Ground Lug Kit : DS100GK
Designations: ACCU-1

1 ASCO – Non Automatic

Catalog Number: 386A3400C1XC,m 9C, 9D
400 120/2308
Open Transition, 3 Phase 4 Wire
NEMA 1 Enclosure
Options, Source Available Lights
Freight Included

3 Manual Motor Disc.

Catalog Number: 7802
2 Pole Motor Rated Switch, 600 Volt Rated
Designations: Disp, UH-1, UH-2

2 Manual Motor Disc.

Catalog Number: 7803
2 Pole Motor Rated Switch, 600 Volt Rated
Designations: P-1, P-2

2 Enclosed Control

Catalog Number: ECN1602AHA-A29, P1, P68, S3, H5/D9
Non Fused FVNR Combo Starter, NEMA 3R, 115V, Size 0
120V Coil, Disconnect Switch - Non-Fused
S3-HAND-OFF-AUTO Selector Switch
A29-1NO/1NC extra AUX CONT (Unwired without diagram)
H5/D9-Heater Packs(H2009B-3)
P1-Push-to-Test pilot Light(red RUN) Wired to Coil
P68-Led Bulbs in place of standard bulbs
Designations: EF-1, EF-2

2 Enclosed Control

Catalog Number: ECN16A1AHA-A29H5/D9P1P68
Non Fused FVNR Combo Starter, NEMA 3R, 115V, Size 00
120V Coil, Disconnect Switch - Non-Fused
S3-HAND-OFF-AUTO Selector Switch
A29-1NO/1NC extra AUX CONT (Unwired without diagram)
H5/D9-Heater Packs(H2009B-3)
P1-Push-to-Test pilot Light(red RUN) Wired to Coil
P68-Led Bulbs in place of standard bulbs
Designations: HWB 12, HWB 2



Madison Fire Station #2

Section Two

Utility Metering

Prepared For



Prepared By Michael Koch
BJ Electric Supply
mikk@bjelectric.com

BJ Electric Supply
Job Name: Madison FS #2
Customer Bill of Material

1 CT Cabinet

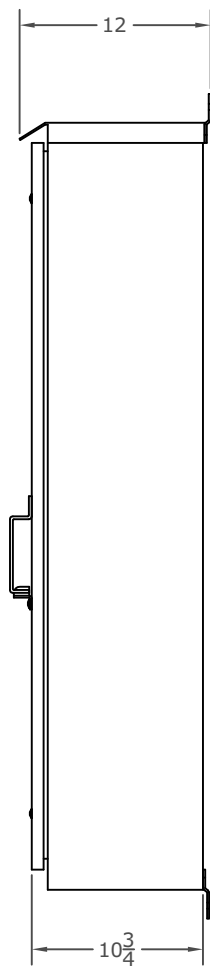
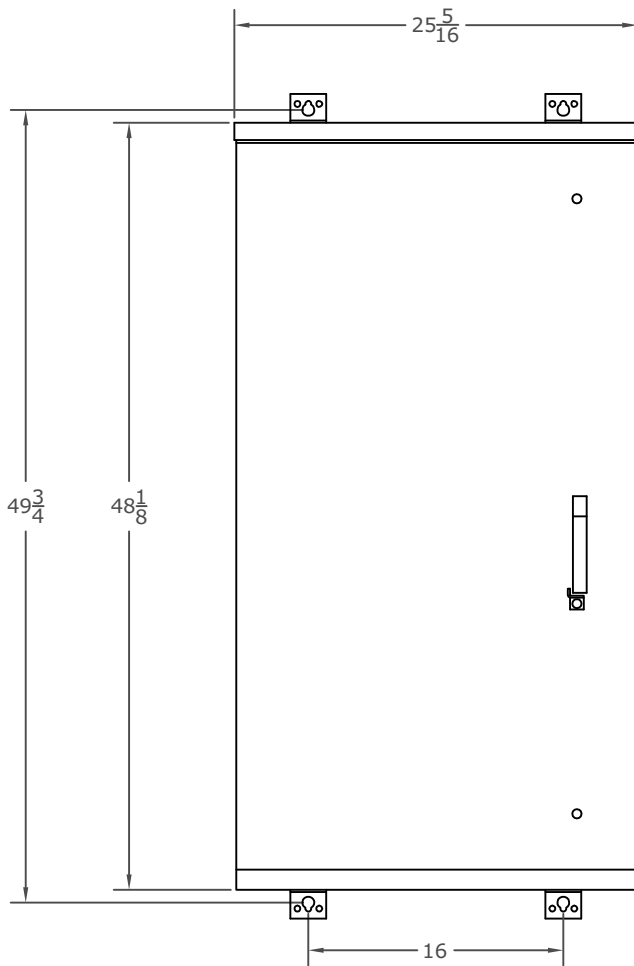
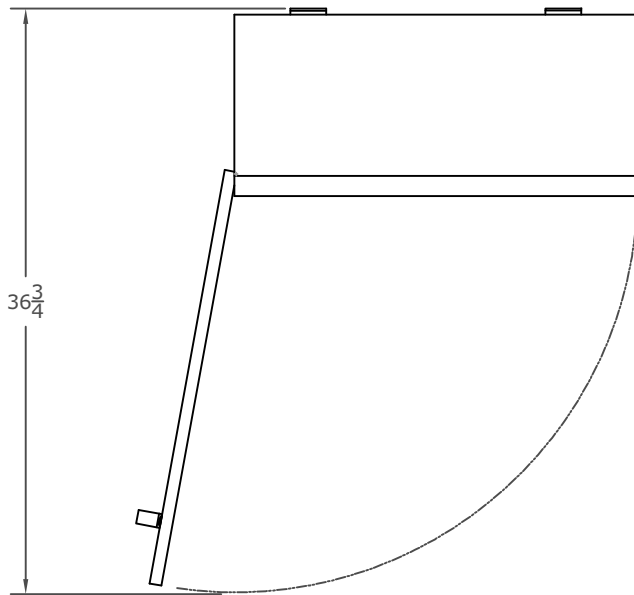
Catalog Number: MGE-404UG
400A UG/Overhead 3P 4W MGE CT Cabinet (240/600V)
Designations: Utility Metering

1 Metering

Catalog Number: USTS132BCH
20A Instrument Rated Mtr Socket, Ringless, 13 Terminal, UL
Designations: Utility Metering

1 Metering

Catalog Number: ARP00002CHB
HUB CLOSURE PLATE ENC METER SOCKET ACCESSORIES
Designations: Utility Metering



NOTES:

1. 600 VOLT
2. UL LISTED
3. NEMA 3R
4. FABRICATED FROM 0.100" ALUMINUM

| REVISIONS | | |
|-----------|----------|-----|
| NO | DATE | BY |
| 1 | 12/10/96 | RCE |
| 2 | 08/01/02 | KAP |
| 3 | 06/30/06 | KRE |
| 4 | 02/01/07 | KRE |

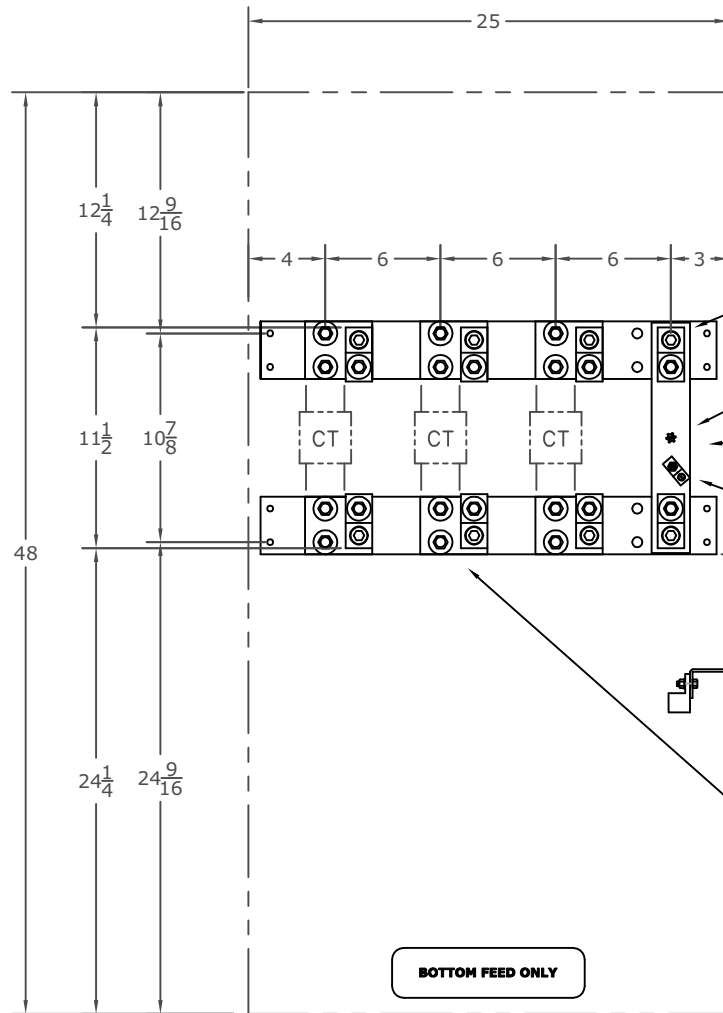
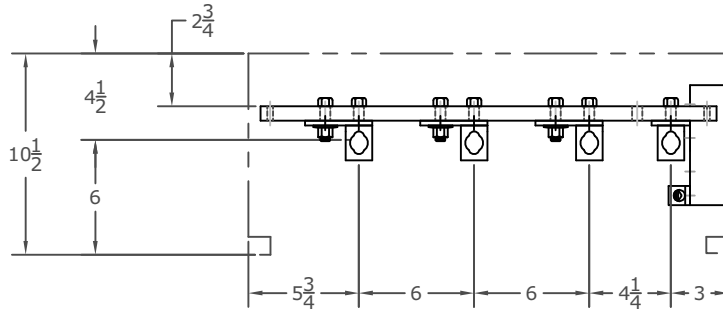


GALVA-CLOSURE PRODUCTS CO.

STOUGHTON, WISCONSIN

CABINET OUTLINE DIMENSIONS
RJB ~ MODEL AC482510

| | | | |
|-------|----------|----------|----------|
| DR BY | DATE | APP'D BY | DR NO. |
| RCE | 12/15/88 | RCE | 20104-04 |



LUGS RATED FOR ONE 600 MCM OR TWO 250 MCM CU-AL

POTENTIAL TAP

NEUTRAL 1/4" x 2" PLATED ALUMINUM

BONDING LUG 1/0 AWG

GRD LUG FOR #6-250 MCM CU-AL

BUS 1/4" x 3" PLATED ALUMINUM

BOTTOM FEED ONLY

NOTES:

1. 3Ø 4-WIRE SHOWN
2. FOR 1Ø 3-WIRE, CENTER PHASE BUS IS OMITTED.
3. 65,000 AMP SHORT-CKT RATING
4. 0.100" ALUMINUM
5. UL LISTED

MGE-403UG
MGE-404UG

| REVISIONS | | |
|-----------|----------|-----|
| NO | DATE | BY |
| 1 | 12/02/96 | RCE |
| 2 | 06/25/01 | KAP |
| 3 | 06/04/02 | KAP |
| 4 | 02/01/07 | KRE |



GALVA-CLOSURE PRODUCTS CO.

STOUGHTON, WISCONSIN

400 AMP BUS ARRANGEMENT ~
IN AC482510 (COMPACT PROFILE)

| | | | |
|-------|----------|----------|-----------|
| DR BY | DATE | APP'D BY | DR NO. |
| RCE | 04/08/94 | RCE | 20104-804 |

Product Selection

USTS132CCH



Instrument Rated Sockets

| Ampere Rating | Jaws | Service | Opening, Hub or Closure Plate | Catalog Number |
|---------------|-------------|----------------------|-------------------------------|----------------|
| 20 | 13 terminal | UG | Solid top | USTH131A123CH |
| 20 | 13 terminal | OH/UG | 3-5/16 hub cover plate | USTS131B102CH |
| 20 | 13 terminal | OH/UG | 3-5/16 hub cover plate | USTS132B101CH |
| 20 | 13 terminal | OH/UG | 3-5/16 hub cover plate | USTS132CCH |
| 20 | 13 terminal | OH/UG | 1-inch bolt-on hub | 1008694ACH |
| 20 | 8 terminal | OH/UG | 1-inch bolt-on hub | 1008695ACH |
| 20 | 13 terminal | N/A | N/A | 1007003BCH |
| 20 | 13 terminal | Solid top and bottom | Solid top | 1007003CCH |
| 20 | 13 terminal | OH/UG | 3-5/16 hub cover plate | USTL131C207CH |
| 20 | 13 terminal | OH/UG | Hub opening | USTS131BCH |
| 20 | 13 terminal | OH/UG | 1-1/4-inch bolt-on hub | USTS131L143CH |
| 20 | 13 terminal | N/A | N/A | USTS132BCH |
| 20 | 6 terminal | OH/UG | Hub opening | USTS61B138CH |
| 20 | 6 terminal | OH/UG | Hub opening | UST61BCH |
| 20 | 8 terminal | OH/UG | Hub opening | USTS82B166CH |
| 20 | 8 terminal | N/A | Solid top and bottom | 1007361BCH |
| N/A | N/A | N/A | N/A | 1008539CH |
| 20 | 13 terminal | OH/UG | 3-5/16 hub cover plate | UASTS131C226CH |
| 20 | 13 terminal | OH | 3-5/16 hub cover plate | 1004671CH |
| 20 | 7 terminal | OH | 3-5/16 hub cover plate | ULTS131CCH |

Dimensions

Approximate Dimensions in Inches (mm)

Instrument Rated Sockets

| Catalog Number | Height | Width | Depth |
|----------------|---------------|---------------|--------------|
| USTH131A123CH | 20.00 (304.8) | 12.00 (304.8) | 4.36 (110.7) |
| USTS131B102CH | 20.00 (304.8) | 12.00 (304.8) | 4.36 (110.7) |
| USTS132B101CH | 20.00 (304.8) | 12.00 (304.8) | 4.36 (110.7) |
| USTS132CCH | 20.00 (304.8) | 12.00 (304.8) | 4.36 (110.7) |
| 1008694ACH | 20.00 (304.8) | 12.00 (304.8) | 4.36 (110.7) |
| 1008695ACH | 20.00 (304.8) | 12.00 (304.8) | 4.36 (110.7) |
| 1007003BCH | N/A | N/A | N/A |
| 1007003CCH | 16.50 (419.1) | 14.00 (355.6) | 3.50 (88.9) |
| USTL131C207CH | 20.00 (304.8) | 12.00 (304.8) | 4.35 (110.5) |
| USTS131BCH | 20.00 (304.8) | 12.00 (304.8) | 4.35 (110.5) |
| USTS131L143CH | 20.00 (304.8) | 12.00 (304.8) | 4.35 (110.5) |
| USTS132BCH | N/A | N/A | N/A |
| USTS61B138CH | 20.00 (304.8) | 12.00 (304.8) | 4.35 (110.5) |
| UST61BCH | 20.00 (304.8) | 12.00 (304.8) | 4.35 (110.5) |
| USTS82B166CH | 20.00 (304.8) | 12.00 (304.8) | 4.35 (110.5) |
| 1007361BCH | 16.50 (419.1) | 14.00 (355.6) | 3.50 (88.9) |
| 1008539CH | N/A | N/A | N/A |
| UASTS131C226CH | 20.00 (304.8) | 12.00 (304.8) | 4.35 (110.5) |
| 1004671CH | 17.00 (431.8) | 10.00 (254.0) | 5.00 (127.0) |
| ULTS131CCH | 22.00 (558.8) | 12.00 (304.8) | 4.94 (125.5) |

Madison Fire Station #2

Section Three

Panelboards

Prepared For



BJ Electric Supply
Job Name: Madison FS #2
Customer Bill of Material

1 Pow-R-Line1a

Multi-Section Panel:2 Sections, 84 Circuits, 400A, Series Rated, 208Y/120V 3Ph 4W, Copper Bus, 42k AIC,400A, 3P DK Main Breaker[Top Fed], 200A, EDS Sub-Feed Breaker, Surface Mounted

- 1 400A, Main Lugs Only
- 1 400A, 3P DK Main Breaker
- 1 400A, Through-Feed Lugs
- 1 35A, 1P BAB Branch Breaker
- 2 1P BAB Branch Provision Only
- 6 15A, 3P BAB-H Branch Breaker
- 1 60A, 3P BAB-H Branch Breaker
- 1 35A, 3P BAB-H Branch Breaker
- 54 20A, 1P BAB Branch Breaker
- 1 200A, EDS Sub-Feed Breaker
- 2 Copper Main Bus, 400 Amps
- 2 Std. Bolted Cu Ground Bar (Cu Cable Only)
- 2 Panel Nameplate - White with Black Letters
- 1 Service Entrance Label
- 2 Type 1 Enclosure:EZB2072R
- 2 EZ Trim, Door in Door, Concealed Hardware:EZT2072S

Designations: MD

1 Pow-R-Line1a

84 Circuits, 225A, Series Rated, 208Y/120V 3Ph 4W, Copper Bus, 42k AIC,225A, MLO with SF Lugs-Upstream EDS[Top Fed], Surface Mounted

- 1 225A, MLO with SF Lugs-Upstream EDS
- 1 25A, 1P BAB Branch Breaker
- 1 30A, 2P BAB Branch Breaker
- 7 1P BAB Branch Provision Only
- 1 30A, 1P BAB Branch Breaker
- 73 20A, 1P BAB Branch Breaker
- 1 Copper Main Bus, 225 Amps
- 1 Std. Bolted Cu Ground Bar (Cu Cable Only)
- 1 Panel Nameplate - White with Black Letters
- 1 Type 1 Enclosure:EZB2072R
- 1 EZ Trim, Door in Door, Concealed Hardware:EZT2072S

Designations: A

**Main Breaker 400A
DK3400W, Vert Mtd.**

| | | | |
|----|----------|----------|----|
| 1 | BAB3060H | BAB3035H | 2 |
| 3 | | | 4 |
| 5 | | | 6 |
| 7 | BAB1035 | BAB1020 | 8 |
| 9 | BAB1020 | BAB1020 | 10 |
| 11 | BAB1020 | BAB1020 | 12 |
| 13 | BAB1020 | BAB1020 | 14 |
| 15 | BAB1020 | BAB1020 | 16 |
| 17 | BAB1020 | BAB1020 | 18 |
| 19 | BAB1020 | BAB1020 | 20 |
| 21 | BAB1020 | BAB1020 | 22 |
| 23 | BAB1020 | BAB1020 | 24 |
| 25 | BAB1020 | BAB1020 | 26 |
| 27 | BAB1020 | BAB1020 | 28 |
| 29 | BAB1020 | BAB1020 | 30 |
| 31 | BAB1020 | BAB1020 | 32 |
| 33 | BAB1020 | BAB1020 | 34 |
| 35 | BAB1020 | BAB1020 | 36 |
| 37 | BAB1020 | BAB1020 | 38 |
| 39 | BAB1020 | BAB1020 | 40 |
| 41 | BAB1020 | BAB1020 | 42 |

Through-Feed Lugs

Blank Cover
3 inches

General Information

(Section 1 of 2)

Service Voltage: 208Y/120V 3Ph 4W
Bus Rating & Type: 400A Copper
Ground Bar: Std. Bolted Copper, Cu cable only
S.C. Rating: 42k A.I.C.Series Rated

Enclosure: Type 1
Neutral Rating: 400A

Main Device Type: Main Breaker - Top Cable Entry
Main Terminals: Mechanical - (1) 2/0-500 kcmil (Cu/Al)
Neutral Terminals: Mechanical - (2) #4-500 kcmil (Cu/Al)
Through-Feed Lugs: Mechanical - (2) #4-500 kcmil (Cu/Al)

Box Catalog No.: EZB2072R
Trim: EZ Trim, Door in Door, Concealed Hardware (EZT2072S)

 Surface Mounted

Box Dimensions: 72." [1828.8mm]H x 20" [508.0mm]W x 5.75" [146.0mm]D
Min. Gutter Size: Top = 5.5" [139.7mm] Bottom = 5.5" [139.7mm]
 Left = 6.0" [152.4mm] Right = 6.0" [152.4mm]

Panel ID Nameplate: (1) MD (sec 1)
Type: Plastic, adhesive-backed (2) 208Y/120V 3Ph 4W
Color: White with Black Letters (3)

NEC Lighting & Appliance, UL CTL
Service Entrance Label ***Non-Interchangeable Main Device***

Copper Neutral
 Trim Lock:Standard Lock & Key (Keyed WEM2)
 Circuit Directory:Plastic Sleeve with Card
 Main Circuit Breaker Trip Type: Thermal-Magnetic.
 Do not connect breakers with combined ampere ratings that exceed 140 amperes on any individual branch bus connector.

Device Modifications:

Ref # Description

Branch Devices

| Qty | Poles | Trip | Frame | Amps | KAIC |
|-----|-------|------|-------|------|------|
| 35 | 1 | 20 | BAB | 100 | 42 |
| 1 | 1 | 35 | BAB | 100 | 42 |
| 1 | 3 | 35 | BAB | 100 | 42 |
| 1 | 3 | 60 | BAB | 100 | 42 |

Notes:

The information on this document is created by Eaton Corporation. It is disclosed in confidence and it is only to be used for the purpose in which it is supplied.

PREPARED BY A591 DATE 08/13/12

Eaton Corporation

APPROVED BY DATE 08/13/12

JOB NAME Madison FS #2
 DESIGNATION MD

VERSION 7.9

TYPE PRL1a DRAWING TYPE Customer Approval

NEG-ALT NUMBER A5910420Q201-0000

REVISION DWG SIZE A

G.O. ITEM SHEET 1 OF 1

Main Lugs Only w/ SF Lugs
225A

| | | | |
|----|---------|---------|----|
| 1 | BAB2030 | BAB1030 | 2 |
| 3 | | BAB1025 | 4 |
| 5 | BAB1020 | BAB1020 | 6 |
| 7 | BAB1020 | BAB1020 | 8 |
| 9 | BAB1020 | BAB1020 | 10 |
| 11 | BAB1020 | BAB1020 | 12 |
| 13 | BAB1020 | BAB1020 | 14 |
| 15 | BAB1020 | BAB1020 | 16 |
| 17 | BAB1020 | BAB1020 | 18 |
| 19 | BAB1020 | BAB1020 | 20 |
| 21 | BAB1020 | BAB1020 | 22 |
| 23 | BAB1020 | BAB1020 | 24 |
| 25 | BAB1020 | BAB1020 | 26 |
| 27 | BAB1020 | BAB1020 | 28 |
| 29 | BAB1020 | BAB1020 | 30 |
| 31 | BAB1020 | BAB1020 | 32 |
| 33 | BAB1020 | BAB1020 | 34 |
| 35 | BAB1020 | BAB1020 | 36 |
| 37 | BAB1020 | BAB1020 | 38 |
| 39 | BAB1020 | BAB1020 | 40 |
| 41 | BAB1020 | BAB1020 | 42 |
| 43 | BAB1020 | BAB1020 | 44 |
| 45 | BAB1020 | BAB1020 | 46 |
| 47 | BAB1020 | BAB1020 | 48 |
| 49 | BAB1020 | BAB1020 | 50 |
| 51 | BAB1020 | BAB1020 | 52 |
| 53 | BAB1020 | BAB1020 | 54 |
| 55 | BAB1020 | BAB1020 | 56 |
| 57 | BAB1020 | BAB1020 | 58 |
| 59 | BAB1020 | BAB1020 | 60 |
| 61 | BAB1020 | BAB1020 | 62 |
| 63 | BAB1020 | BAB1020 | 64 |
| 65 | BAB1020 | BAB1020 | 66 |
| 67 | BAB1020 | BAB1020 | 68 |
| 69 | BAB1020 | BAB1020 | 70 |
| 71 | BAB1020 | BAB1020 | 72 |
| 73 | BAB1020 | BAB1020 | 74 |
| 75 | BAB1020 | BAB1020 | 76 |
| 77 | BAB1020 | PROV | 78 |
| 79 | PROV | PROV | 80 |
| 81 | PROV | PROV | 82 |
| 83 | PROV | PROV | 84 |

Blank Cover
8 inches

General Information

(Section 1 of 1)

Service Voltage: 208Y/120V 3Ph 4W
Bus Rating & Type: 225A Copper
Ground Bar: Std. Bolted Copper, Cu cable only
S.C. Rating: 42k A.I.C.Series Rated

Enclosure: Type 1
Neutral Rating: 225A

Main Device Type: MLO with SF Lugs-Upstream EDS - Top Cable Entry
Main Terminals: Mechanical - (1) #6-300 kcmil (Cu/Al)
Neutral Terminals: Mechanical - (1) #6-300 kcmil (Cu/Al)
Box Catalog No.: EZB2072R
Trim: EZ Trim, Door in Door, Concealed Hardware (EZT2072S)

 Surface Mounted

Box Dimensions: 72." [1828.8mm]H x 20" [508.0mm]W x 5.75" [146.0mm]D
Min. Gutter Size: Top = 5.5" [139.7mm] Bottom = 5.5" [139.7mm]
 Left = 6.0" [152.4mm] Right = 6.0" [152.4mm]

Panel ID Nameplate: (1) A (sec 1)
Type: Plastic, adhesive-backed (2) 208Y/120V 3Ph 4W
Color: White with Black Letters (3)

UL

Copper Neutral
 Trim Lock:Standard Lock & Key (Keyed WEM2)
 Circuit Directory:Plastic Sleeve with Card
 Do not connect breakers with combined ampere ratings that exceed 140 amperes on any individual branch bus connector.

Device Modifications:

Ref # Description

Branch Devices

| Qty | Poles | Trip | Frame | Amps | KAIC |
|-----|-------|------|-------|------|------|
| 73 | 1 | 20 | BAB | 100 | 42 |
| 1 | 1 | 25 | BAB | 100 | 42 |
| 1 | 1 | 30 | BAB | 100 | 42 |
| 1 | 2 | 30 | BAB | 100 | 42 |
| 7 | 1 | | PROV | | |

Notes:

The information on this document is created by Eaton Corporation. It is disclosed in confidence and it is only to be used for the purpose in which it is supplied.

PREPARED BY A591 DATE 08/13/12

Eaton Corporation

APPROVED BY DATE 08/13/12

JOB NAME Madison FS #2
 DESIGNATION A

VERSION 7.9

TYPE PRL1a
 DRAWING TYPE Customer Approval

NEG-ALT NUMBER A5910420Q201-0000

REVISION DWG SIZE A

G.O. ITEM SHEET 1 OF 1